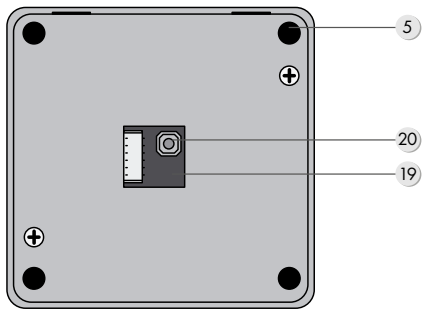
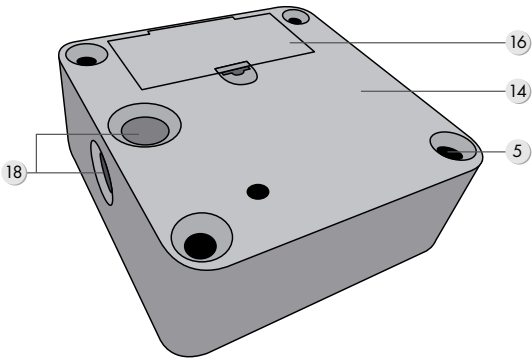
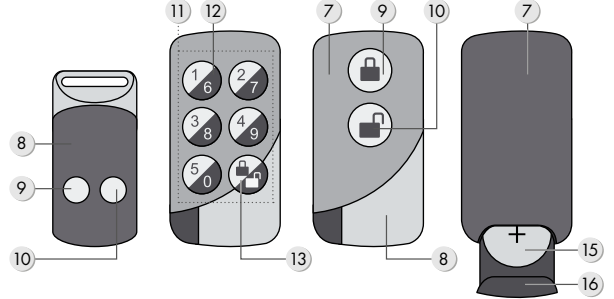


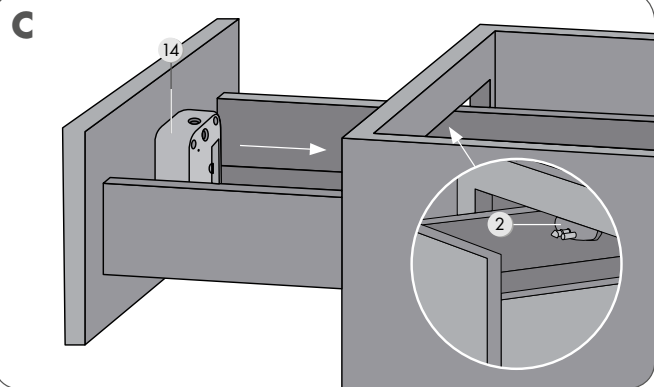
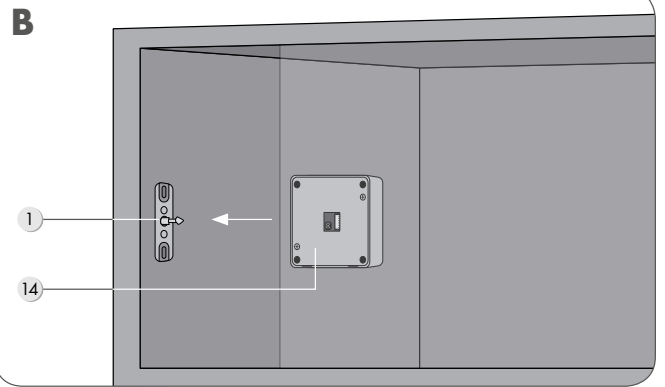
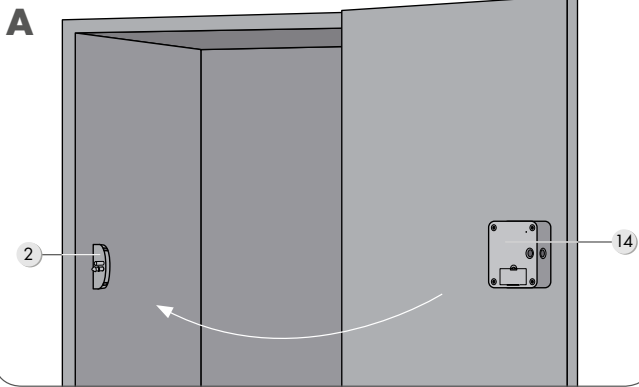
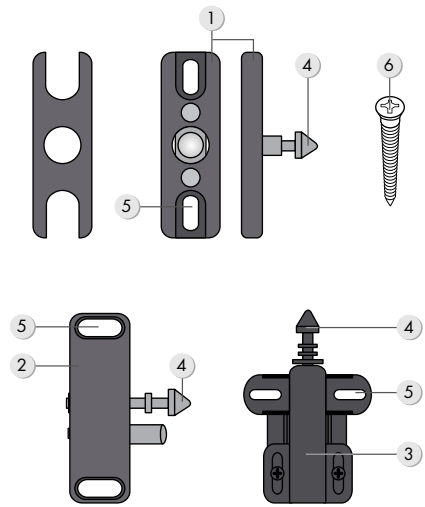
Active transponder lock



Transponder



Lock parts



Active transponder lock

● Introduction



Congratulations on purchasing your new device. You have chosen a high-quality product. Familiarise yourself with the product before using it for the first time. In addition, please carefully refer to the instructions for use and the safety instructions below. The product must only be used as described and for the specified fields of application. Keep these instructions in a safe place. If you pass the product on to anyone else, please be sure to also include all documentation.

	Read the instructions!		Wear safety gloves!
	Observe the warnings and safety notices!		Dispose of the packaging and the product in an environmentally compatible manner!
	Explosion hazard!		Direct current
			For your safety

● Intended use

The passive transponder IPWatch furniture lock is suitable for indoor use with any type of furniture, and has a high range. Any use other than described above or any modification of the product is prohibited and will result in damage. Any use other than described above or any modification of the product is prohibited and will result in damage. The manufacturer is not liable for any damages caused by improper use.

● Parts' Description

- | | |
|---|--|
| 1 Front lock piece (IPLock Closing Bolt Zamak straight) | 9 „Lock“ button |
| 2 Corner lock piece (IPLock Closing Bolt Zamak 90°) | 10 „Open“ button |
| 3 Corner closing piece LC (IPLock Closing Bolt Plastic 90°) | 11 Transponder (IPLock Remote Pin Code AT) |
| 4 Bolts | 12 Number buttons |
| 5 predrilled holes | 13 „Lock/open“ button |
| 6 Countersunk head screw, ø 4 mm (recommendation) | 14 Lock body (IPLock Easy AT) |
| 7 Transponder (IPLock Remote Basic AT) | 15 Battery compartment |
| 8 Transponder (IPLock Remote Style AT) | 16 Battery compartment cover |
| | 17 Battery |
| | 18 Lock |
| | 19 PC connection for interface |
| | 20 Programming button |

● Technical Information

Dimensions:	60 x 60 x 22 mm
Batteries:	3V Lithium batteries, CR123A type (lock) CR2032 typer (transponder)
Permitted temperature Transponder operating frequency:	0-40 °C, non-condensing 125 kHz

Lock body material:	plastic
Lock parts:	Bolts, steel
Locking mesh:	48 x 48 mm
Capacity:	20 Transponders per lock
Range:	upto 20 cm
Product number:	IPLock Easy AT: 06200001 IPLock Closing Bolt Zamak straight: 06300012 IPLock Closing Bolt Zamak 90°: 06300013 IPLock Remote Basic: 06200002 IPLock Remote Style: 06200004 IPLock Remote Pin Code: 06200003

● Items supplied

- 1 x Lock body (IPLock Easy AT)
- 1 x Battery 3V lithium battery, type CR123A
- 1 x Assembly instructions and instructions for use



Safety Notices

Damage due to failure to comply with these instructions for use will void the warranty! We assume no liability for consequential damage! We assume no liability for property damage or personal injury due to improper handling or failure to observe the safety notices!


⚠ WARNING! \RISK OF LOSS OF LIFE AND ACCIDENT TO INFANTS AND CHILDREN!

- Never leave children unsupervised with the packaging materials. The packaging material poses a suffocation hazard. Children frequently underestimate the dangers. Please always keep the product out of the reach of children.
- This device may be used by children age 8 years and up, as well as by persons with reduced physical, sensory or mental capacities, or lacking experience and/or knowledge, when supervised or instructed in the safe use of the device and they understand the associated risks.
 - Do not allow children to play with the device. Cleaning and user maintenance must not be performed by children without supervision.
 - **DANGER TO LIFE!** During installation keep children away from the area in which you are working. A large number of screws and other small parts are included within the scope of delivery. These may prove life-threatening if swallowed or inhaled.
 - IPWatch GmbH products are not designed for use in life support or life saving systems or other similar uses. Using the products for their non-intended purposes can lead to cases of failure, malfunction, personal damage or damage to property.
 - The product is suitable for use in dry and clean areas only. Use in areas near water, dirt or high humidity is dangerous and prohibited.
 - The product may not be used in conjunction with highly flammable liquids.
 - Do not exceed the electrical limits that are listed in „Technical Data“.

● Safety Instructions for Batteries

⚠ WARNING! Keep batteries away from children. Do not leave batteries lying around. There is a danger that these will be swallowed by children or pets. If they are accidentally swallowed seek immediate medical attention.

- Never recharge, short-circuit and/or open non-rechargeable batteries. Never throw batteries into fire or water. Otherwise there is danger of explosion.
- Please note the polarity when inserting the batteries! This is shown in the battery compartment. Otherwise there is danger of explosion.

- Do not subject the batteries to extreme environmental conditions or temperatures, such as those near heating radiators. This poses a risk of leaking.
- Remove spent batteries immediately from the device. There is an increased risk of leaks!
-  Check regularly to make sure the batteries in the device are not leaking. Leaking or damaged batteries can cause chemical burns if they come into contact with the skin; in such cases you must wear suitable protective gloves!
- Avoid contact with the skin, eyes and mucous membranes. Any parts of the body coming into contact with battery acid should be rinsed off with copious amounts of water and/or a doctor contacted if necessary!
- If necessary, clean the contacts on the batteries and on the device itself before inserting them.
- Remove the batteries from the device if it will not be used for a prolonged period.
- Dispose the batteries according to the disposal instructions.

● Before installation

● Inserting batteries

Lock

- Open the battery compartment cover **16** and insert the new battery **17** (3V lithium battery, CR123A) in the battery **15** compartment.
Please note: Make sure you insert the batteries with the correct polarity.
- Place the battery compartment cover **16** back on the battery compartment **15**.

● Installation (see Fig. A-C)

Please note: the furniture must be made of non-metallic material. The best range is 10 cm, but a range of up to 20 cm is also possible. To ensure that the installation is mechanically stable, a 10 mm long screw is recommended.

- Hold the lock body **14** in the place where you wish to install it and mark the drill holes using the pre-drilled holes **5**.
- Hold the desired locking part **1**, **2**, **3** to the place where you wish to install it and mark the drill holes using the pre-drilled holes **5**.

⚠ CAUTION! RISK OF INJURY! Please refer to your power drill's instructions for use.

- Now drill the mounting holes (Ø 4 mm).
- Attach the lock body **14** and the locking part **1**, **2**, **3** to your furniture **6** with the countersunk head screws.

● Initial use

● Programming the transponder

- Press the programming button **20** for approx. 1 second and then let go. The lock **18** will begin „ticking“. It is now in programming mode and you can begin activating **7**, **8**, **11** the transponder.
- Press any of the two buttons on **7**, **8** the transponder **9**, **10**.
- Alternatively, enter any pin using the number buttons **12** on the pin code transponder **11** and then press the „lock/open“ button **13**. The lock **18** will confirm the programming process with a beep. When the lock **18** stops „ticking“, the programme mode has ended.

● Using the lock

In operating mode the lock **18** the lock responds to pressing buttons on the transponder **7**, **8**, **11** and will lock or unlock according to the transponder configuration (see „transponder configuration“ section).

There are different types of signals in operating mode.

- The transponder **7**, **8**, **11** will beep when you press a button, which signals that the transponder is activated and ready to perform functions.
- If you hear three beeps in succession, the transponder **7**, **8**, **11** is not activated.
- If the lock is installed in an EMC (electromagnetic compatibility) loaded environment, the lock warns you about this with an alarm, as a shorter battery life can be expected in this environment.



Four short beeps signal low battery. The battery should be changed (see „Changing the battery“ section).

Transponder (IPLock Remote Basic AT) **7**

- In order to lock **18** the lock, close the furniture, so that the bolt **4** in the lock **18** engages and hold the passive transponder **7** to the lock body **9**. You will hear a beep when the lock locks.
- To open the **18** lock, press the „open“ button **10**. You will hear a beep when the lock **18** opens. You can now open the furniture.

Transponder (IPLock Remote Style AT) **8**

- In order to lock **18** the lock, close the furniture, so that the bolt **4** in the lock **18** engages and hold the passive transponder **8** to the lock body **9**. You will hear a beep when the lock locks.
- To open the **18** lock, press the „open“ button **10**. You will hear a beep when the lock **18** opens. You can now open the furniture.

Transponder (IPLock Remote Pin Code AT) **11**

- In order to lock **18** the lock, close the furniture, so that the bolt **4** in the lock **18** engages and press the „lock/open“ button **11** on the transponder **13**. You will hear a beep when the lock locks.
- To open the **18** lock, enter the saved pin code **12** using the number buttons and press the „open“ button **10**. You will hear a beep when the lock **18** opens. You can now open the furniture.

● Transponder **7**, **8**, **11** configuration

- Remove the battery first to configure the transponder **7**, **8**, **11** following the instructions given in the „changing the battery“ section.
- Now hold down the button(s) for the desired configuration (see the table) and insert the batteries again (see the „changing the battery“ section) and release the button(s). Your transponder **7**, **8**, **11** is now individually configured!

Configuring the transponder (IPLock Remote Basic AT) **8** transponder (IPLock Remote Style AT) **7**

Press the buttons whilst inserting the batteries	New function "lock" button 9	New function "open" button 10
none	lock	open
"Lock" button 9	Timer mode	Timer mode

"Open" button 10	Toggle mode	Toggle mode
"Open" 10 + "close" button 9	Timer mode	Toggle mode

Configuring transponder (IPLock Remote Pin Code AT) 11

Press the buttons whilst inserting the batteries	Input method	Numbers	New function "lock/open" button 13
none	Easy	1 to 5	Timer mode
Button 1	Easy	1 to 5	Toggle mode
Button 2	Press down for a short/long time	0 to 9	Timer mode
Button 3	Press down for a short/long time	0 to 9	Toggle mode
Button 4	Press down for a short/long time and double click	0 to E (Hex)	Timer mode
Button 5	Press down for a short/long time and double click	0 to E (Hex)	Toggle mode

Toggle mode: The lock changes its locked state (from locked to open and open to locked)

Timer mode: The lock opens and locks independently after 3 seconds

● Changing the furniture lock settings

Turning on the confirmation beep

- Hold the programming button 20 down until you hear the first beep and then let go.
- Hold the programming button down once again until you hear the first beep to turn on the open/lock confirmation beeping.

Turning off the confirmation beep

- Hold the programming button 20 down until you hear the first beep and then let go.
- Hold the programming button down once again until you hear the first beep to turn off the open/lock confirmation beeping.

Turning on the disruption alarm

- Hold the programming button 20 down until you hear two beeps and then let go.
- Hold the programming button down once again until you hear the first beep to turn on the disruption alarm..

Turning off the disruption alarm

- Hold the programming button 20 down until you hear two beeps and then let go.
- Hold the programming button down once again until you hear the two beeps to turn off the disruption alarm..

Factory reset

- Hold the programming button 20 down until you hear three beeps and then let go.
- Hold the programming button down once again until you hear the two beeps to factory reset.
Please note: A longer beep confirms that the setting has been changed, three short beeps signal that there was an error or it has crashed.

● Changing the batteries

In the lock 18

The battery should always be changed when the lock alerts you by beeping four times, signalling low battery.

Please note: If the lock is mounted in such a way that you can not reach the battery easily, the furniture lock must be taken down before changing the battery.

- Open the battery compartment and remove the old battery 17.
- Insert the new battery (3V lithium battery CR123A) in the battery compartment.
Please note: Make sure you insert the batteries with the correct polarity.
- Place the battery compartment cover 16 back on the battery compartment.
Please note: If you delay changing the battery until the battery is empty, the lock will open automatically and can not be relocked until the battery is changed.
Please note: After changing the battery, the transponder must 7, 8, 11 be reprogrammed (see „programming the transponder“ section)

On the transponder 7, 8, 11

- Extract the battery compartment 15 from the back of the 7 8 11 transponder.
- Remove the used battery from the battery compartment 15.
- Insert a new battery (CR2032 type) with the + side facing upwards in the battery compartment 15 and slide it back into the transponder 7, 8, 11, until it clicks.

● Cleaning and Care

- Do not use solvents, petrol, etc. Doing so would damage the product.
- Never immerse the product in water.
- Only use a dry, lint-free cloth for cleaning.

● Disposal



The packaging is made from environmentally friendly materials which can be disposed of through your local recycling facilities.

Contact your municipality for information on how to dispose of your worn-out product.

To help protect the environment, please dispose of the product properly when it has reached the end of its useful life and not in the household waste. Please contact your local authority for information on collection points and their opening hours.

Defective or used batteries must be recycled in accordance with Directive 2006/66/EC. Return batteries and/or the appliance using the recycling facilities provided.



Improper disposal of batteries can harm the environment!

Batteries may not be disposed of in the household waste. They could contain poisonous heavy metals and are subject to hazardous waste treatment. The chemical symbols of the heavy metals are: Cd = cadmium, Hg = mercury, Pb = lead. Therefore dispose of used batteries through your local collection facilities.

● Service

IPWatch GmbH

Hilgerstrasse 23

45141 Essen, Germany

order@ipwatch.de

www.ipwatch.de

For all enquiries, please have your product number ready.

● Warranty

This product was developed and produced with care by IPWatch GmbH. The warranty is valid 12 months from the date of purchase and can be claimed, where applicable, upon presentation of the receipt. IPWatch GmbH's warranty obligation is limited to repairing or exchanging the product free of charge. Costs and risks incurred from transportation, assembly and disassembly, as well as any other costs which may be associated with the repair of the product, will not be reimbursed by IPWatch GmbH. The liability for consequential damages resulting from incorrectly using the device in any way, is excluded.

IPWatch GmbH

Hilgerstr. 23

45141 Essen

Modell: IPLock Easy AT

Last information update: 07 / 2016